

External Fixators



ORTHOPEDIC
CATALOGUE

GEOORTHO External Fixators

GEOORTHO /Dynamic Axial Fixator

DESCRIPTION

Dynamic Axial External Fixator (D.A.F.) is a ball-joint Fixator; it is used primarily in acute trauma. In some instances it may also permit mobilization of a joint where this has been bridged by the fixator. The Dynamic Axial External Fixators is used in the treatment of fractures of long bones, articular and periarticular fractures and pelvic fractures.

The DAF external fixation is indicated in the treatment of long bones fractures of both the lower and upper limbs, it also provides an ideal treatment of polytrauma patients with femoral fractures. It provides excellent stability allowing early mobilization. Its versatility permits simple angular adjustment at any time during fracture healing before union is solid.

014.1 GEOORTHO Dynamic Axial Fixator with standard clamp for Femur & Tibia



Type	Length(mm) Min	Length(mm) Max	Code
Short	230	250	014.1.01
Medium	250	290	014.1.2.
Long	270	330	014.1.03

014.2 GEOORTHO Dynamic Axial Fixator with T-clamp for Femur & Tibia



Type	Length(mm) Min	Length(mm) Max	Code
Short	190	210	014.2.01
Medium	215	255	014.2.2.
Long	240	300	014.2.03

GEOORTHO External Fixators

GEOORTHO /Dynamic Axial Fixator

014.3 GEOORTHO Dynamic Axial Fixator with Trochanteric 135 clamp for Femur in Adults



Type	Length(mm) Min	Length(mm) Max	Code
Short	230	250	014.3.01
Medium	250	290	014.3.2.
Long	270	330	014.3.03

014.4 GEOORTHO Dynamic Axial Fixator with Square Clamp for Femur & Tibia in Adults



Type	Length(mm) Min	Length(mm) Max	Code
Short	230	250	014.4.01
Medium	250	290	014.4.2.
Long	270	330	014.4.03

014.5 Femur & Tibia Standard Clamp



014.6 Femur & Tibia T-Clamp



014.7 Trochanteric 135 Clamp



014.8 Femur & Tibia Square Clamp



014.9 GEOORTHO Limb Reconstruction Fixator for Femur & Tibia in Adults



Type	Length(mm) Min	Length(mm) Max	Code
Short	190	210	014.9.01
Medium	215	255	014.9.2.
Long	240	300	014.9.03

014.10 GEOORTHO Limb Reconstruction Pediatric Fixator



Type	Length(mm) Min	Length(mm) Max	Code
Short	190	210	014.10.01
Medium	215	255	014.10.2.
Long	240	300	014.10.03

GEOORTHO External Fixators

GEOORTHO /Dynamic Axial Fixator

014.11 GEOORTHO Limb Lengthening Fixator for Femur & Tibia in adults



Type	Length(mm) Min	Length(mm) Max	Code
Short	190	210	014.11.01
Medium	215	255	014.11.2.
Long	240	300	014.11.03

014.12 GEOORTHO Dynamic Axial Ankle fixator in Adults



Type	Length(mm) Min	Length(mm) Max	Code
Short	190	210	014.012.01
Medium	215	255	014.012.2.
Long	240	300	014.012.03

014.13 GEOORTHO Dynamic Axial Fixator with standard clamp for Humerus (may be used as Pediatric Femur & Tibia)



Type	Length(mm) Min	Length(mm) Max	Code
Short	190	210	014.013.01
Medium	215	255	014.013.2.
Long	240	300	014.013.03

014.14 GEOORTHO Dynamic Axial Fixator with T-clamp for Humerus (may be used as Pediatric Femur & Tibia)



Type	Length(mm) Min	Length(mm) Max	Code
Short	190	210	014.014.01
Medium	215	255	014.014.2.
Long	240	300	014.014.03

014.15 GEOORTHO Limb Lengthening for Humerus in Adults (maybe used as Pediatric femur & Tibia)



Type	Length(mm) Min	Length(mm) Max	Code
Short	190	210	014.20.01
Medium	215	255	014.20.2.
Long	240	300	014.20.03

014.16 Humerus Standard Clamp



GEOORTHO External Fixators

GEOORTHO /Dynamic Axial Fixator

014.17 Humerus T- Clamp



014.18 GEOORTHO Dynamic Axial Fixator with standard clamp for Forearm (Can be used as Pediatric femur & tibia)



Type	Length(mm) Min	Length(mm) Max	Code
Short	190	210	014.18.01
Medium	215	255	014.18.2.
Long	240	300	014.18.03

014.19 Forearm Standard Clamp



014.20 GEOORTHO Dynamic Axial Fixator for Elbow



014.21 Axial Colle's Type Fixator



014.22 GEOORTHO Wrist Fixator



014.23 Penning Type wrist Fixator



Type	Code
Short	014.23.01
Long	014.23.2.

GEOORTHO External Fixators

GEOORTHORTHO /Dynamic Axial Fixator

014.24 Finger Fixator I



014.25 Finger Fixator II



**014.26 Dynamic Pelvis
Fixator**



014.27 Pelvis External Fixator



Type	Codes
Standard	014.26.01
Long	014.26.2.
Paediatric	014.26.03

014.28 Paediatric Pelvis Fixator



GEOORTHO External Fixators

GEOORTHO /Dynamic Axial Fixator

014.29 DYNAMIC AXIAL FIXATOR/INSTUMENTS

014.29.01 Trocar



014.29.2. Schanz T-wrench



014.29.03 Hexagonal Wrench 6.0mm



014.29.04 Hexagonal Wrench 5.0mm



014.29.05 Hexagonal Wrench 4.0mm



014.29.06 Sleeve Guide



014.29.07 T-Wrench (quick Coupling Drill)



014.29.09 Wrench



014.29.08 Drill Guide and Sleeve Guide



014.29.11 Drill Guide



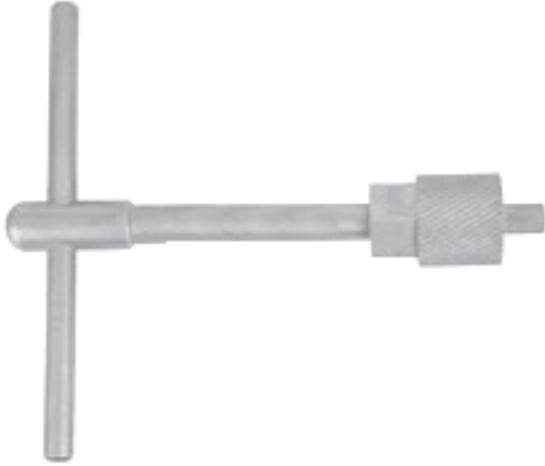
014.29.10 T-Handle with Jacob's Chuck



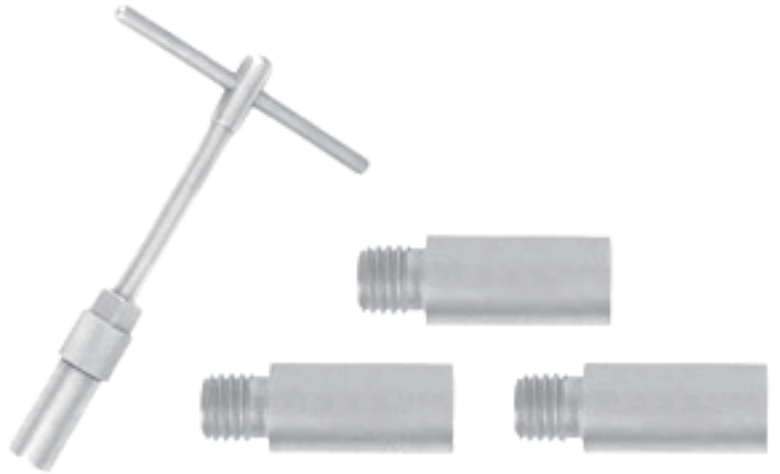
GEOORTHO External Fixators

GEOORTHO /Dynamic Axial Fixator

014.29.12 T-Handle Shaft



014.29.13 T-Handle Adaptor 4.0mm, 5.0mm, 6.0mm



014.29.14 Tightner Wrench for Wrist Fixator



014.29.15 Two side open Wrench



014.29.16 Single side open Wrench



014.29.17 One side Open One side Circular Wrench



014.29.18 Drill Bit with Stopper



014.29.19 Long Bone Drill



GEOORTHO External Fixators

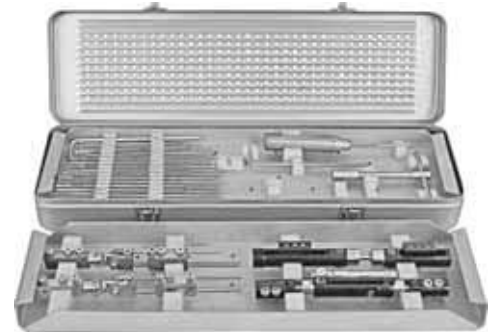
GEOORTHO /Dynamic Axial Fixator

014.30 Dynamic Axial Fixator complete set for Lower Limb



Products	Quantity
Trocar 5mm	1
Trocar 6mm	1
Drill and sleeve guide 5 mm	1
Drill and sleeve guide 6 mm	1
Drill q4,1*270	2
Drill q4,5*130	2
Threaded kirschiner wire q2,0*290	3
Kirschner wire q2,0*290	3
Hexagonal wrench 5mm	2
Hexagonal wrench 6mm	2
Two side open wrench	1
T handle shaft	1
T handle adaptor 5mm	1
T handle adaptor 6mm	1
Jacob's chuck	1
Jacob's chuck wrench	1
Tray 55 mm.	1
Tray 35 mm.	2
Sterilisation container	1
Silicone holder	28
Fixators	6

014.31 Dynamic Axial Fixator complete set for Upper Limb



Products	Quantity
Trocar 4mm	1
Drill and sleeve guide 4 mm	1
Drill and sleeve guide 3,5 mm	1
Drill q2,7*130	2
Drill q3,2*130	2
Threaded kirschiner wire q1,5*290	3
Kirschner wire q1,5*290	3
Hexagonal wrench 5mm	2
Hexagonal wrench 4mm	2
Hexagonal wrench 3mm	2
Two side open wrench	1
T handle shaft	1
T handle adapter 4mm	1
T handle adapter 3mm	1
Tightener wrench	1
Tray	1
Tray	2
Sterilisation container	1
Silicone holder	10
Fixators	4

GEOORTHO External Fixators

GEOORTHO / Schanz Screws

014.32 Schanz Screw with Cortical Thread Diameter 1.5 mm



Codes	Dia (mm)	Length(mm)	Material
014.32.01	1.5	75	SS

014.34 Schanz Screw with Cortical Thread Diameter 2.5mm



Codes	Dia (mm)	Length(mm)	Material
014.34.01	2.5	100	SS

014.36 Schanz Screw with Cortical Thread Diameter 4.0 mm



Codes	Dia (mm)	Thread	Length(mm)	Material
014.36.01	4.0	125	18	SS
014.36.2.	4.0	175	25	SS

014.37 Schanz Screw with Cortical Thread Diameter 4.5 mm



Codes	Dia (mm)	Thread	Length(mm)	Material
014.37.01	4.5	150	18	SS
014.37.2.	4.5	150	25	SS
014.37.03	4.5	175	18	SS
014.37.04	4.5	175	25	SS
014.37.05	4.5	175	32	SS
014.37.06	4.5	175	40	SS
014.37.07	4.5	200	25	SS
014.37.08	4.5	200	32	SS
014.37.09	4.5	200	40	SS
014.37.10	4.5	225	25	SS
014.37.11	4.5	225	32	SS
014.37.12	4.5	225	40	SS

014.33 Schanz Screw with Cortical Thread Diameter 2.0 mm



Codes	Dia (mm)	Length(mm)	Material
014.33.01	2.0	75	SS

014.35 Schanz Screw with Cortical Thread Diameter 3.5mm



Codes	Dia (mm)	Shaft	Thread	Length(mm)	Material
014.35.01	3.5	4.0	125	14	SS
014.35.2.	3.5	4.0	125	20	SS
014.35.03	3.5	4.5	125	18	SS
014.35.04	3.5	4.5	125	22	SS

014.38 Schanz Screw with Cortical Thread Diameter 5.0 mm



Codes	Dia (mm)	Thread	Length(mm)	Material
014.38.01	5.0	150	18	SS
014.38.2.	5.0	150	25	SS
014.38.03	5.0	175	18	SS
014.38.04	5.0	175	25	SS
014.38.05	5.0	175	32	SS
014.38.06	5.0	175	40	SS
014.38.07	5.0	200	25	SS
014.38.08	5.0	200	32	SS
014.38.09	5.0	200	40	SS
014.38.10	5.0	225	25	SS
014.38.11	5.0	225	32	SS
014.38.12	5.0	225	40	SS

014.39 Schanz Screw with Cortical Thread Diameter 6.0 mm



Codes	Dia (mm)	Thread	Length(mm)
014.39.01	6.0	225	32
014.39.2.	6.0	225	40

014.40 Schanz Screw with Cancellous Thread Diameter 3.5 mm



Codes	Dia (mm)	Length(mm)
014.40.01	3.5	125

014.41 Schanz Screw with Cancellous Thread Diameter 6.5mm



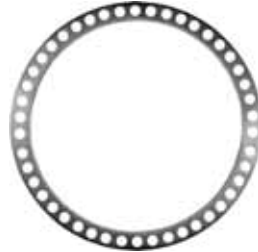
Codes	Thread Length (mm)	Length(mm)
-------	--------------------	------------

GEOORTHO External Fixators

GEOORTHO / Ring Fixators

014.42 ILIZAROV - Full Ring

Codes	Size (mm)
014.42.01	80
014.42.2.	100
014.42.03	120
014.42.04	140
014.42.05	160
014.42.06	180
014.42.07	200
014.42.08	220
014.42.09	240



014.43 ILIZAROV - 1/2 Ring

Codes	Size (mm)
014.43.01	80
014.43.2.	100
014.43.03	120
014.43.04	140
014.43.05	160
014.43.06	180
014.43.07	200
014.43.08	220
014.43.09	240



014.44 ILIZAROV - 5/8 Ring

Codes	Size (mm)
014.44.01	100
014.44.2.	120
014.44.03	140
014.44.04	160
014.44.05	180
014.44.06	200
014.44.07	220
014.44.08	240
014.44.09	260



GEOORTHO External Fixators

GEOORTHO / Ring Fixators

014.45 Omega Ring

Codes	Size (mm)
014.45.01	120
014.45.2.	140
014.45.03	160
014.45.04	180
014.45.05	200



014.46, 014.47, 014.48, 014.49, 014.50, 014.51 Carbon Fiber Ring



		Sizes / Codes					
ID (mm)	OD (mm)	Full Ring	3/4 Ring	5/8 Ring	Half Ring	3/8 Ring	1/4 Ring
80	120	014.46.0	014.47.0	014.48.01	014.49.01	014.50.0	014.51.0
100	140	1	1	014.48.2.	014.49.2.	1	1
110	150	014.46.2.	014.47.2.	014.48.03	014.49.03	014.50.2.	014.51.2.
120	160	014.46.0	014.47.0	014.48.04	014.49.04	014.50.0	014.51.0
130	170	3	3	014.48.05	014.49.05	3	3
140	180	014.46.0	014.47.0	014.48.06	014.49.06	014.50.0	014.51.0
150	190	4	4	014.48.07	014.49.07	4	4
160	200	014.46.0	014.47.0	014.48.08	014.49.08	014.50.0	014.51.0
180	220	5	5	014.48.09	014.49.09	5	5
200	240	014.46.0	014.47.0	014.48.10	014.49.10	014.50.0	014.51.0
220	260	6	6	014.48.11	014.49.11	6	6
240	280	014.46.0	014.47.0	014.48.12	014.49.12	014.50.0	014.51.0
		7	7			7	7

Italian Femoral Carbon Fiber

014.52

Italian Femoral Arche 90°



Codes	Size (mm)	Codes	Size (mm)
014.52.01	100	014.53.01	100
014.52.2.	120	014.53.2.	120
014.52.03	140	014.53.03	140
014.52.04	160	014.53.04	160
014.52.05	180	014.53.05	180
014.52.06	200	014.53.06	200
014.52.07	220	014.53.07	220
014.52.08	240	014.53.08	240
		014.53.09	260

Italian Femoral Carbon Fiber

014.54

Italian Femoral Arche 90°



014.55

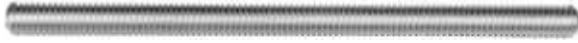
Italian Femoral Arche 120°

Codes	Size (mm)	Codes	Size (mm)
014.54.01	100	014.55.01	100
014.54.2.	120	014.55.2.	120
014.54.03	140	014.55.03	140
014.54.04	160	014.55.04	160
014.54.05	180	014.55.05	180
014.54.06	200	014.55.06	200
014.54.07	220	014.55.07	220
014.54.08	240	014.55.08	240
014.54.09	260	014.55.09	260

GEOORTHO External Fixators

GEOORTHO / Ring Fixators

014.56 Threaded Rods



Codes	Size (mm)
014.56.01	75
014.56.2.	100
014.56.03	125
014.56.04	150
014.56.05	200
014.56.06	250
014.56.07	300
014.56.08	350
014.56.09	400
014.56.10	450

014.57 Short Connection Plates



Codes	Holes
014.57.01	2
014.57.2.	3
014.57.03	4
014.57.04	5
014.57.05	6
014.57.06	7
014.57.07	8
014.57.08	9
014.57.09	10

014.58 Threaded Rods Slotted



Codes	Size (mm)
014.58.01	75
014.58.2.	100
014.58.03	125
014.58.04	150

014.59 Graduated Telescopic Rod



Codes	Size (mm)
014.59.01	100
014.59.2.	150

014.60 Carbon Fiber Connecting Plate

Codes	Holes
014.60.01	2
014.60.2.	3
014.60.03	4
014.60.04	5
014.60.05	6
014.60.06	11
014.60.07	16
014.60.08	20

014.61 Curved Plate



Codes	Holes
014.61.01	3
014.61.2.	4
014.61.03	5
014.61.04	6

014.62 Twisted Plate



Codes	Holes
014.62.01	2
014.62.2.	3
014.62.03	4

014.63 Connection Plates with Threaded Ends



Codes	Holes
014.63.01	5
014.63.2.	7
014.63.03	9
014.63.04	11

GEOORTHO External Fixators

GEOORTHO / Ring Fixators

014.64 Telescopic Rod



Codes	Size (mm)
014.64.01	100
014.64.2.	150
014.64.03	200
014.64.04	250
014.64.05	300

014.65 Threaded Sockets



Codes	Size (mm)
014.65.01	20
014.65.2.	30
014.65.03	40
014.65.04	60

014.66 Post Male



Codes	Holes
014.66.01	2
014.66.2.	3
014.66.03	4

014.67 Post Female



Codes	Holes
014.67.01	2
014.67.2.	3
014.67.03	4

014.68 Hinge - Male



014.69 Hinge - Female



014.70 Single Pin Fixation Bolt



014.71 Wire Fixtion Bolt Cannulated



014.72 Hinge - 90°



014.73 Multi-Pin Fixation Clamp



014.74 Single Pin Fixation Bolt with Washer - Deluxe



GEOORTHO External Fixators

GEOORTHO / Ring Fixators



Codes	Size (mm)	Length (mm)
014.75.01	1.5	400
014.75.2.	1.8	400

014.76 Ilizarov Wire Trocar Point



Codes	Size (mm)	Length (mm)
014.76.01	1.5	400
014.76.2.	1.8	400

014.77 Olive Wire Bayonet Point



Codes	Size (mm)	Length (mm)
014.77.01	1.5	400
014.77.2.	1.8	400

014.78 Olive Wire Trocar Point



Codes	Size (mm)	Length (mm)
014.78.01	1.5	400
014.78.2.	1.8	400

014.79 Wire Fixation Bolt Slotted



014.80 Wire Buckle



GEOORTHO External Fixators

GEOORTHO / Ring Fixators

014.81 Oblique Support with Thread



014.82 Oblique Support without Thread



014.83 Conical Washer (Pair)



014.84 Connection Bolt



014.85 Nut - 10mm



014.86 Square Nut



014.87 Nylon Insert Nut



014.88 Flat Sided Washer



014.89 Slotted Washer



014.90 Spacing Washer



014.91 Wrenchcube One Hole



014.92 Wrenchcube Two Hole



GEOORTHO External Fixators

GEOORTHO / Ring Fixators

014.93 Wrenchocube Three Hole



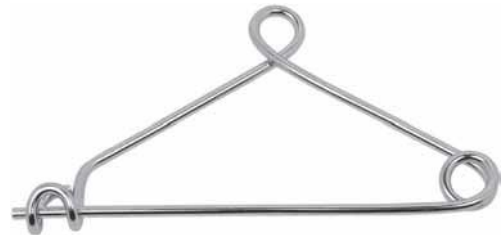
014.94 Wrenchocube Four Hole



014.95 Repofix Device



014.96 Washer Hanger



014.97 Angulated Wrench 10mm Cannulated



014.98 Corticotome



Codes	Size (mm)
165.005	5
165.007	7
165.010	10
165.015	15

014.9 Wire Tensioner Dynamometer



Codes	Description
014.99.01	Wire Tensioner
014.99.2.	Box Spanner 10mm
014.99.03	Cannulated Bolt with Female Thread in Head
014.99.04	Spanner 10mm

GEOORTHO External Fixators

GEOORTHO Hoffman II Fixator

014.100 Multi Pin Clamp

Code	Holes
014.100.01	4
014.100.2.	5



014.101 Rod to Rod Clamp

Code	Size
014.1 1.01	Ø5/5
014.1 1.2.	Ø8/8
014.1 1.03	Ø5/8



014.012. Pin to Rod Clamp

Code	Size
014.012.01	Ø5
014.012.2.	Ø8



014.103 Inverted Pin to Rod Clamp

014.104 Peri-Articular Pin Clamp



014.105 Dynamization Tube



014.106 Compression/Distraction Tube



014.107 Semi-Circular Curved Rod Small



014.108 Semi-Circular Curved Rod Medium



014.109 Semi-Circular Curved Rod Large



014.110 Straight Post



014.111 30° Angled Post



Code	Dia
014.111.01	Ø5
014.111.2.	Ø8

Code	Dia
014.110.01	Ø5
014.110.2.	Ø8

GEOORTHO External Fixators

GEOORTHO Hoffman II Fixator

014.112 Connecting Rods



Aluminum	Carbon	SS	Dia	Size
014.1012.AL01	014.1012.CR01	014.1012.SS01	5	65
014.1012.AL2.	014.1012.CR2.	014.1012.SS2.	5	100
014.1012.AL03	014.1012.CR03	014.1012.SS03	5	150
014.1012.AL04	014.1012.CR04	014.1012.SS04	5	200
014.1012.AL05	014.1012.CR05	014.1012.SS05	5	250
014.1012.AL06	014.1012.CR06	014.1012.SS06	5	300
014.1012.AL07	014.1012.CR07	014.1012.SS07	8	65
014.1012.AL08	014.1012.CR08	014.1012.SS08	8	100
014.1012.AL09	014.1012.CR09	014.1012.SS09	8	150
014.1012.AL10	014.1012.CR10	014.1012.SS10	8	200
014.1012.AL11	014.1012.CR11	014.1012.SS11	8	250
014.1012.AL12	014.1012.CR12	014.1012.SS12	8	300
014.1012.AL13	014.1012.CR13	014.1012.SS13	8	350
014.1012.AL14	014.1012.CR14	014.1012.SS14	8	400
014.1012.AL15	014.1012.CR15	014.1012.SS15	8	450
014.1012.AL16	014.1012.CR16	014.1012.SS16	8	500

014.113 Pin (Self Drilling and Self-Tapping)



Code	Dia
014.113.01	3.3
014.113.2.	4
014.113.03	5
014.113.04	6

014.114 Ø4x55 Pin Sleeve



014.115 Ø6x80 Pin Sleeve



014.116 Stabilization/Reduction Wrench, Large



014.117 Stabilization/Reduction Wrench, Small



014.118 Spanner Wrench, 5mm



014.119 Spanner Wrench, 7mm



014.120 Thumbwheel, 5x5



014.121 Thumbwheel 7x7



GEOORTHO External Fixators

GEOORTHO Hoffman II Fixator

014.122 4mm T-Driver



014.123 6mm T-Driver



014.124 6mm Hex Wrench



014.125 4mm Hex Wrench



014.126 Instruments

Code	Item Description
014.11	Ø4x55 Pin Sleeve
014.11	Ø6x80 Pin Sleeve
014.11	Stabilization/Reduction Wrench, Large
014.11	Stabilization/Reduction Wrench, Small
014.11	Spanner Wrench, 5mm
014.11	Spanner Wrench, 7mm
014.12	Thumbwheel, 5x5
014.12	Thumbwheel 7x7
014.12	4mm T-Driver
014.12	6mm T-Driver
014.12	6mm Hex Wrench
014.12	4mm Hex Wrench

014.127 Self Drilling and Self Tapping Schanz Pin

Code	Dia	Size
014.127.01	4mm	30mm x 90mm
014.127.2.	4mm	30mm x 120mm
014.127.03	4mm	35mm x 120mm
014.127.04	4mm	40mm x 150mm
014.127.05	4mm	50mm x 150mm
014.127.06	4mm	40mm x 180mm
014.127.07	4mm	50mm x 180mm
014.127.08	5mm	30mm x 120mm
014.127.09	5mm	35mm x 120mm
014.127.10	5mm	40mm x 150mm
014.127.11	5mm	50mm x 150mm
014.127.12	5mm	50mm x 180mm
014.127.13	5mm	60mm x 180mm
014.127.14	5mm	50mm x 200mm
014.127.15	5mm	60mm x 200mm
014.127.16	5mm	50mm x 250mm
014.127.17	5mm	70mm x 250mm
014.127.18	6mm	30mm x 110mm
014.127.19	6mm	50mm x 150mm
014.127.20	6mm	60mm x 180mm
014.127.21	6mm	70mm x 200mm
014.127.22	6mm	80mm x 250mm

GEOORTHO External Fixators

Hoffman II Configurations

014.131 Femur Shaft Independent Pin Frame



Code	Components	Quantity
014.131.01	Aluminum Connecting Rod	3
014.131.2.	Pin-to-Rod Clamp	4
014.131.03	Rod-to-Rod Clamp	2
014.131.04	Pin Ø5	4

014.132 Femur Shaft Unilateral Frame



Code	Components	Quantity
014.132.01	Aluminum Connecting Rod	2
014.132.2.	Rod-to-Rod	4
014.132.03	Multi-Pin Clamp	2
014.132.04	30° Angled Post 08	4
014.132.05	Pin Ø5	4

014.133 Femur Shaft Unilateral Frame-Strengthened



Code	Components	Quantity
014.133.01	Aluminum Connecting Rod 08	2
014.133.2.	Rod-to-Rod	4
014.133.03	Multi-Pin Clamp	2
014.133.04	30° Angled Post 08	4
014.133.05	Pin Ø5	4

GEOORTHO External Fixators

Hoffman II Configurations

014.134 Pelvis Frame I



Code	Components	Quantity
014.134.01	Aluminum Connecting Rod	3
014.134.2.	Rod-to-Rod Clamp	4
014.134.03	Multi-Pin Clamp	2
014.134.04	30° Angled Post 08	2
014.134.05	Pin Ø5	4

014.135 Pelvis Frame II



Code	Components	Quantity
014.135.01	Aluminum Connecting Rod 08	2
014.135.2.	Rod-to-Rod Clamp	2
014.135.03	Pin-to-Rod Clamp	2
014.135.04	Multi-Pin Clamp	2
014.135.05	30° Angled Post 08	2
014.135.06	Pin Ø5	4

014.136 Proximal Tibia Semi-Circular Frame

Code	Components	Quantity
014.136.01	Aluminum Connecting Rod 08	2
014.136.2.	Rod-to-Rod Clamp	2
014.136.03	Pin-to-Rod Clamp	2
014.136.04	Multi-Pin Clamp	2
014.136.05	30° Angled Post 08	2
014.136.06	Pin Ø5	4



014.137 Tibia Shaft Unilateral Frame

Code	Components	Quantity
014.137.01	Aluminum Connecting Rod 08	2
014.137.2.	Rod-to-Rod Clamp	4
014.137.03	Multi-Pin Clamp	2
014.137.04	30° Angled Post 08	4
014.137.05	Pin Ø5	4

GEOORTHO External Fixators

Hoffman II Configurations

014.138 Strengthened Tibia Shaft Unilateral Frame



Code	Components	Quantity
014.138.01	Aluminum Connecting Rod	3
014.138.2.	Pin-to-Rod Clamp	4
014.138.03	Rod-to-Rod Clamp	2
014.138.04	Pin Ø5	4

014.139 Distal Tibia Independent Pin Frame



Code	Components	Quantity
014.139.01	Aluminum Connecting Rod	2
014.139.2.	Rod-to-Rod	4
014.139.03	Multi-Pin Clamp	1
014.139.04	30° Angled Post Ø8	2
014.139.05	Pin Ø5	4

014.140 Distal Tibia Semi-Circular Frame



Code	Components	Quantity
014.140.01	Semi-Circulated Curved Rod (M)	1
014.140.2.	Aluminum Connecting Rod Ø8	2
014.140.03	Pin-to-Rod Clamp	3
014.140.04	Rod-to-Rod	4
014.140.05	Multi-Pin Clamp	1
014.140.06	30° Angled Post Ø8	2
014.140.07	Pin Ø5	5

014.141 Ankle Stabilization Frame



Code	Components	Quantity
014.141.01	Aluminum Connecting Rod	3
014.141.2.	Pin-to-Rod Clamp	4
014.141.03	Rod-to-Rod Clamp	3
014.141.04	Pin Ø5	4

GEOORTHO External Fixators

Hoffman II Configurations

014.142 Proximal Humeral Frame



Code	Components	Quantity
014.142.01	Aluminum Connecting Rod 08	3
014.142.2.	Rod-to-Rod Clamp	4
014.142.03	Pin-to-Rod Clamp	2
014.142.04	Multi-Pin Clamp	1
014.142.05	30° Angled Post 08	2
014.142.06	Pin Ø4	4

014.143 Humeral Shaft Unilateral Frame



Code	Components	Quantity
014.143.01	Aluminum Connecting Rod 08	1
014.143.2.	Rod-to-Rod Clamp	2
014.143.03	Multi-Pin Clamp	2
014.143.04	30° Angled Post 08	2
014.143.05	Pin Ø4	4

014.145 Distal Radius Frame II

014.144 Distal Radius Frame I



Code	Components	Quantity
014.144.01	Peek Connecting Rood 05	1
014.144.2.	Rod-to-Rod Clamp 05	2
014.144.03	Multi-Pin Clamp	1
014.144.04	Peri-Articular Pin Clamp	1
014.144.05	30° Angled Post 08	1
014.144.06	Pin Ø3.3	4



Code	Components	Quantity
014.145.01	Peek Connecting Rood 05	2
014.145.2.	Rod-to-Rod Clamp 05	4
014.145.03	Multi-Pin Clamp	2
014.145.04	30° Angled Post 08	4
014.145.05	Pin Ø3.3	4